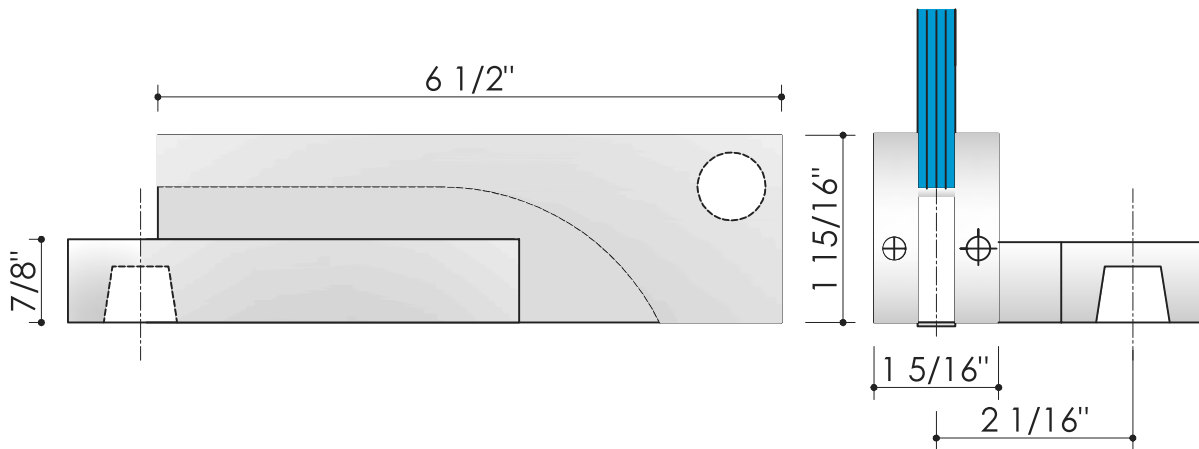
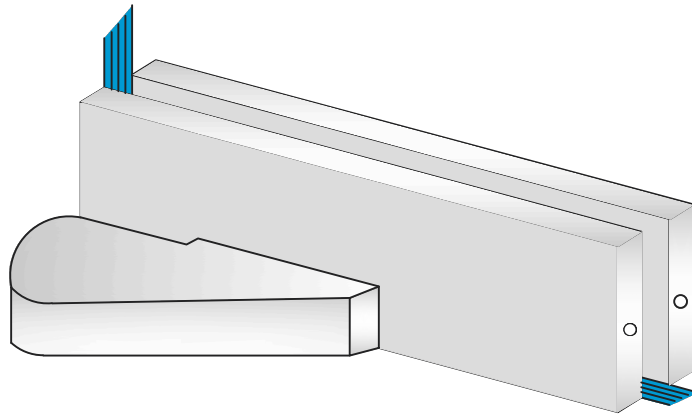
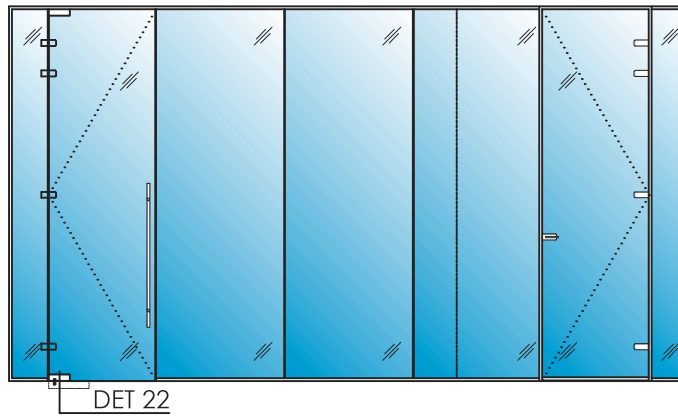


Solare™

# Acoustic Single Glazed Partition System

## Bottom Offset Patch Fitting

All Glass Openings



Hardware Characteristics  
Maximum Door Width: 42"  
Maximum Door Height: 102"  
Maximum Door Weight: 194 lbs

Finishes Available: Aluminum silver anodized (101), Aluminum similar satin stainless steel (107), Brass polished chrome (501), Brass polished (503)



200 Pemberwick Road  
Greenwich, CT 06831

T: (877) 282-6843  
F: (914) 934-5992  
W: [www.avantisystemsusa.com](http://www.avantisystemsusa.com)  
E: [sales@avantisystemsusa.com](mailto:sales@avantisystemsusa.com)