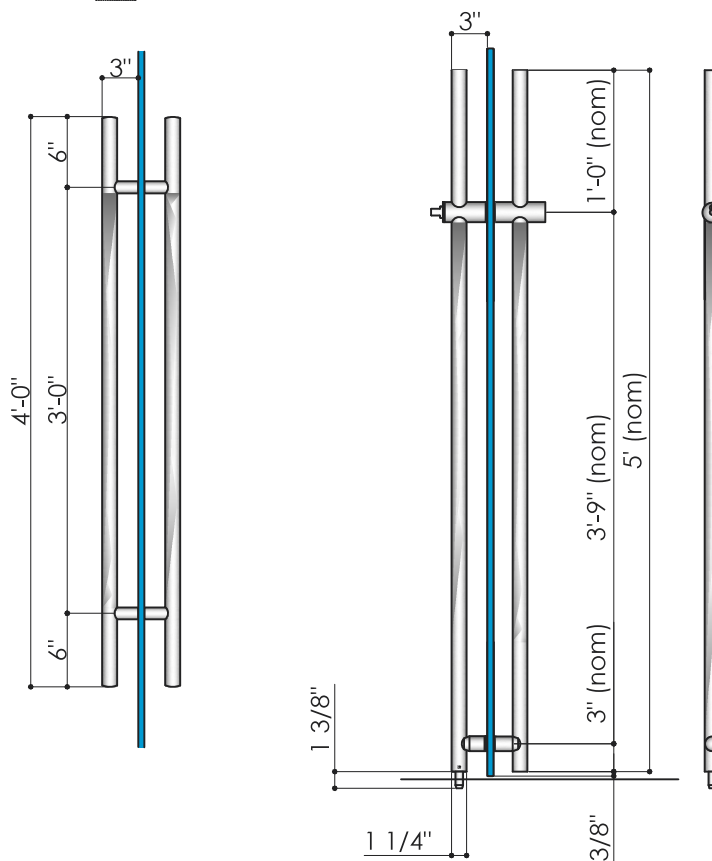


Solare™

# Acoustic Single Glazed Partition System

Ladder Pull 60" Locking (IC Core Available)

Ladder Pull 48" Non-Locking



### Solare™ Acoustic Single Glazed Partition System Characteristics

Maximum Glazing Panel Width: 60' max. (custom widths available upon request)

Maximum Glazing Panel Height: Full height up to 12 feet

Glazing Available: 3/8" Clear tempered, 7/16" Clear laminated, 1/2" Clear tempered, 9/16" Clear laminated, Lunar™ Smart Glass privacy glazing, 3/4" glazing is available

Available Glazing Types: Clear Tempered, Low Iron, Laminated, Lunar Smart Glass™

Door Width: 38" max. (custom larger widths available upon request)

Standard Finishes Available: 611, 615, 810 and 812

Frame material: Aluminum Extrusion; ASTM B221, 6063-T6 alloy and temper

\*IC Core Available



200 Pemberwick Road  
Greenwich, CT 06831

T: (877) 282-6843  
F: (914) 934-5992  
W: [www.avantisystemsusa.com](http://www.avantisystemsusa.com)  
E: [sales@avantisystemsusa.com](mailto:sales@avantisystemsusa.com)