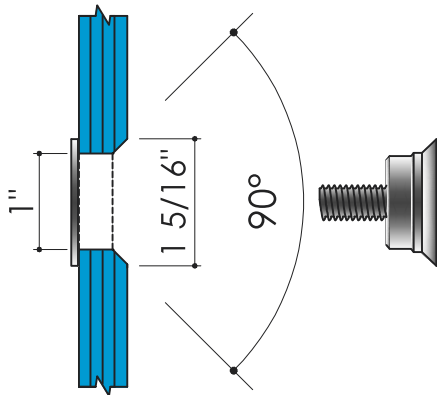
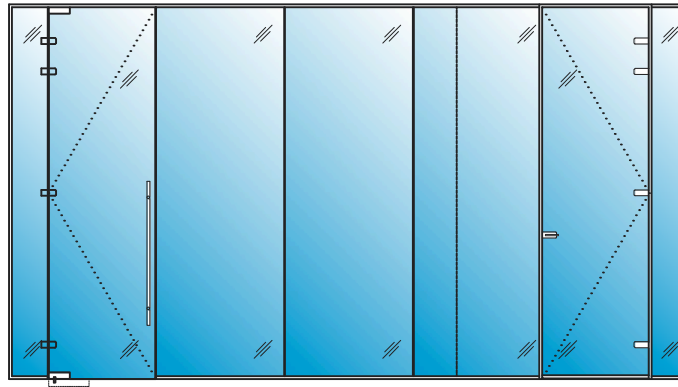
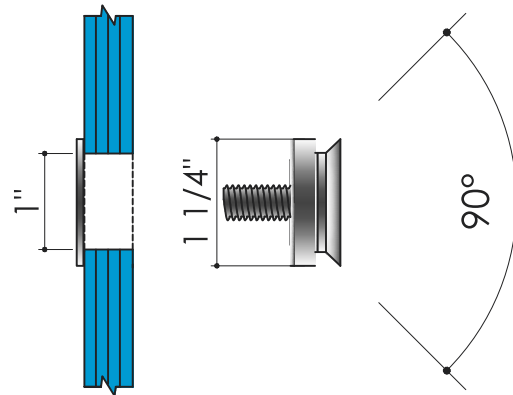


# Solare™ Acoustic Single Glazed Partition System Fasteners



Countersunk



Flush

## Solare™ Acoustic Single Glazed Partition System Characteristics

Maximum Glazing Panel Width: 60" max. (custom widths available upon request)

Maximum Glazing Panel Height: Full height up to 12 feet

Glazing Available: 3/8" Clear tempered, 7/16" Clear laminated, 1/2" Clear tempered, 9/16" Clear laminated, Lunar™ Smart Glass privacy glazing, 3/4" glazing is available

Available Glazing Types: Clear Tempered, Low Iron, Laminated, Lunar Smart Glass™

Door Width: 38" max. (custom larger widths available upon request)

STC Rating: 35

Material: Stainless Steel; ASTM A276, Type 304.

Surfaced mounted fasteners (optional)



200 Pemberwick Road  
Greenwich, CT 06831

T: (877) 282-6843  
F: (914) 934-5992  
W: [www.avantisystemsusa.com](http://www.avantisystemsusa.com)  
E: [sales@avantisystemsusa.com](mailto:sales@avantisystemsusa.com)