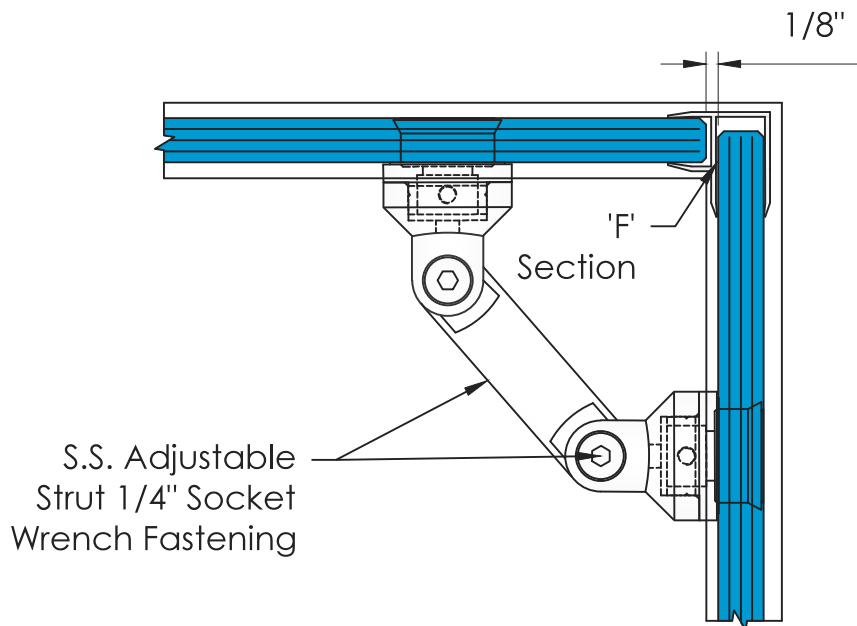
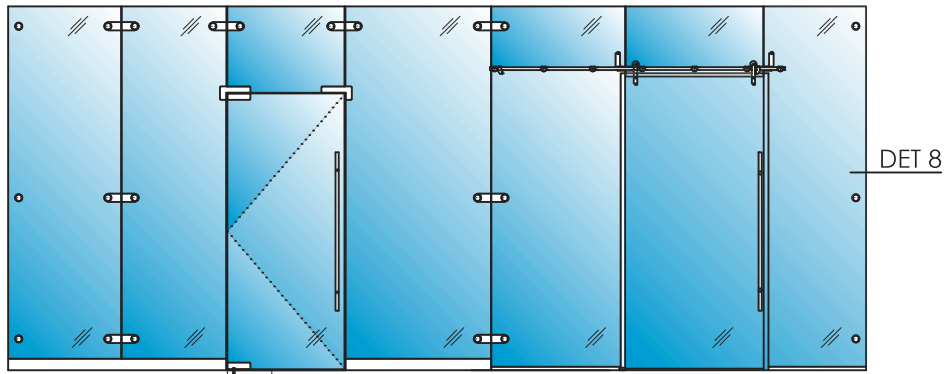


Elite™ Free Standing Partition System 90° Corner



Elite™ Free Standing Partition System Characteristics

Maximum Glazing Panel Width: 60' max. (custom widths available upon request)

Maximum Glazing Panel Height: Full height up to 12 feet

Glazing Available: 3/8" Clear tempered, 7/16" Clear laminated, 1/2" Clear tempered, 9/16" Clear laminated, Laminated LCD privacy glazing, 3/4" glazing is available

Available Glazing Types: Clear Tempered, Low Iron, Laminated, LCD

Standard Frame Finishes Available: Polyester powder coated finish (RAL color choices), Satin Stainless Steel

Frame material: Aluminum Extrusion; ASTM B221, 6063-T6 alloy and temper. Stainless Steel (optional); ASTM A276, Type 304.



200 Pemberwick Road
Greenwich, CT 06831

T: (877) 282-6843
F: (914) 934-5992
W: www.avantisystemsusa.com
E: sales@avantisystemsusa.com