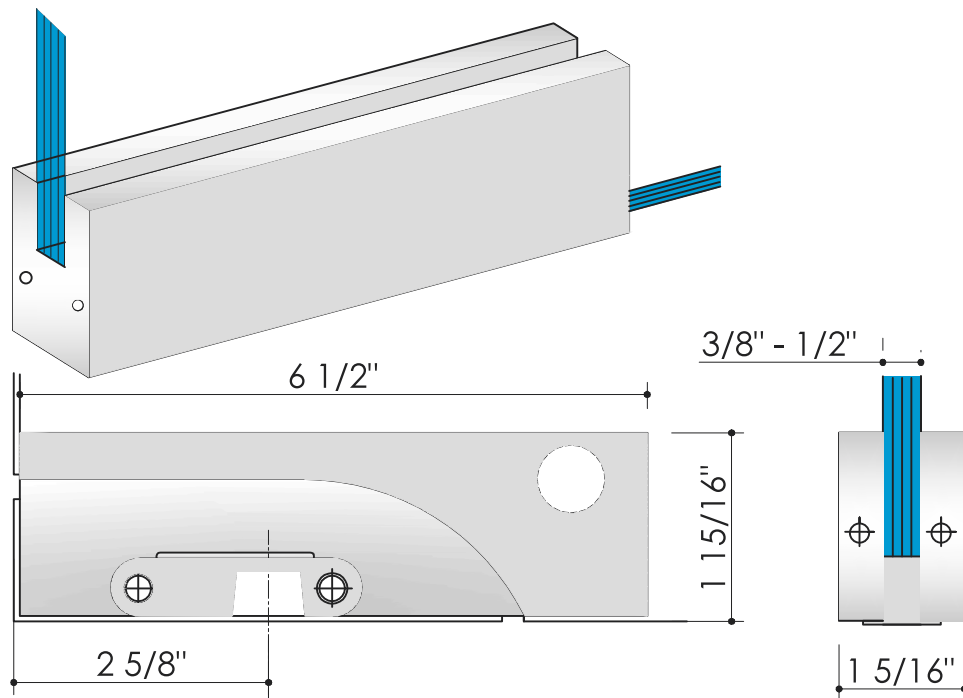
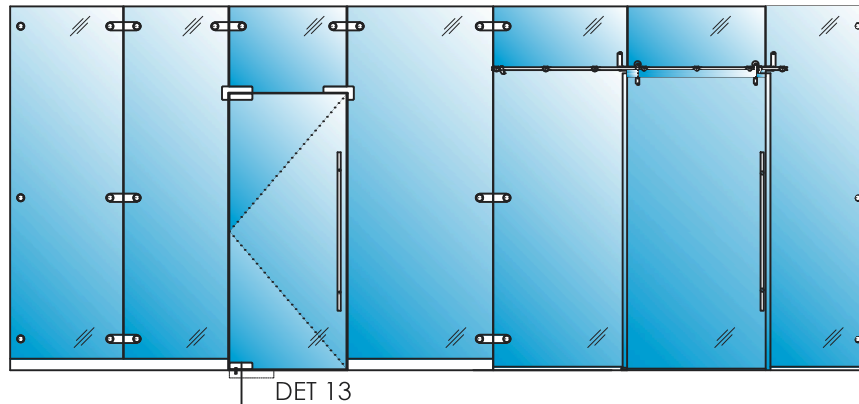


# Elite™ Free Standing Partition System

## Bottom Center Hung Patch Fitting



Hardware Characteristics  
Maximum Door Width: 42"  
Maximum Door Height: 102"  
Maximum Door Weight: 194 lbs

Finishes Available: Aluminum silver anodized (101), Aluminum similar satin stainless steel (107), Brass polished chrome (501), Brass polished (503)