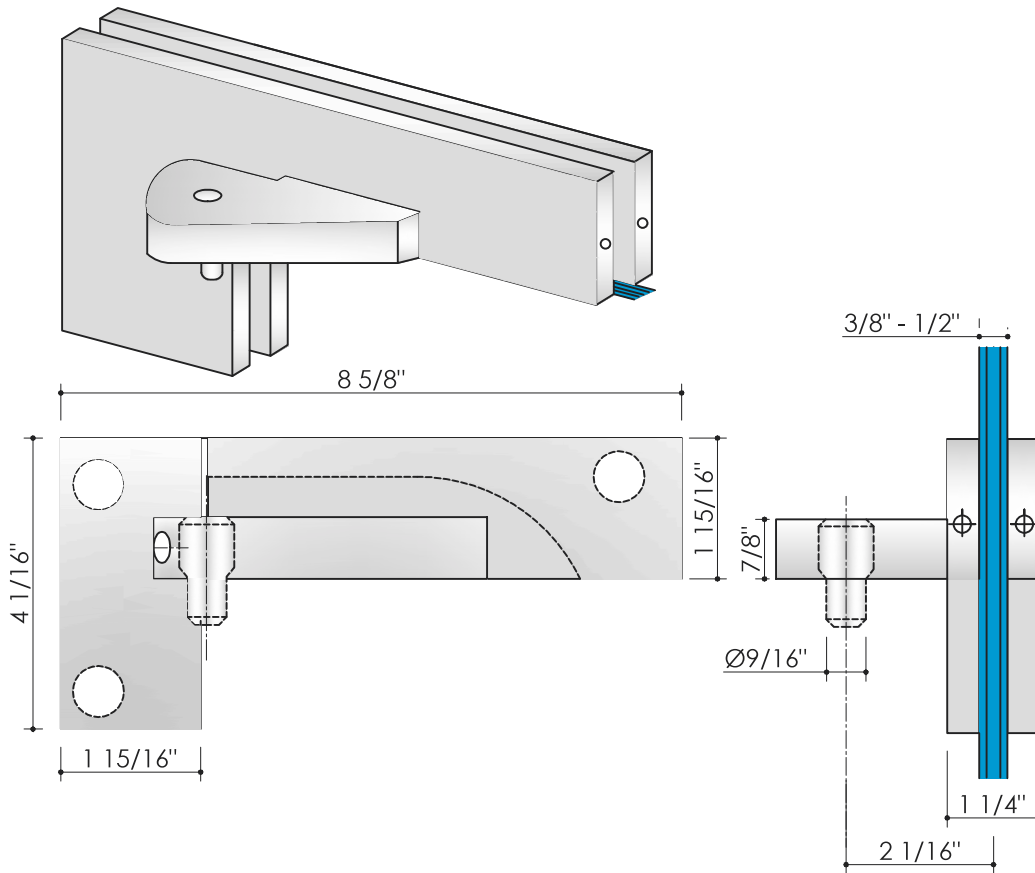
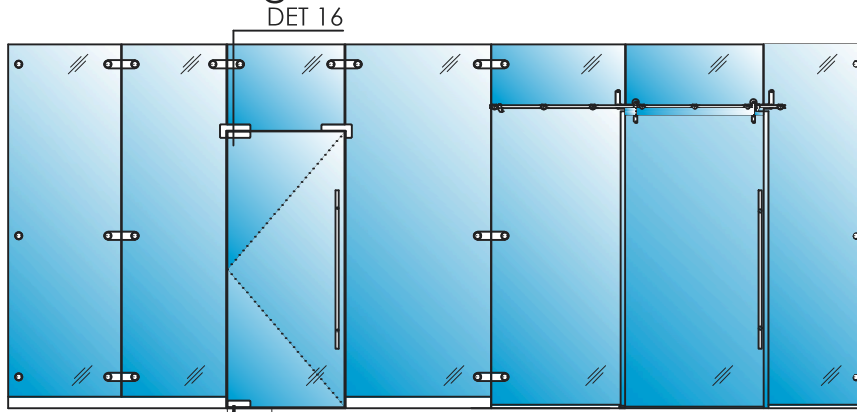


Elite™ Free Standing Partition System

Transom Offset Patch Fitting



Hardware Characteristics
 Maximum Door Width: 42"
 Maximum Door Height: 102"
 Maximum Door Weight: 194 lbs

Finishes Available: Aluminum silver anodized (101), Aluminum similar satin stainless steel (107), Brass polished chrome (501), Brass polished (503)