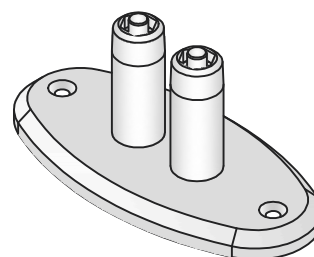
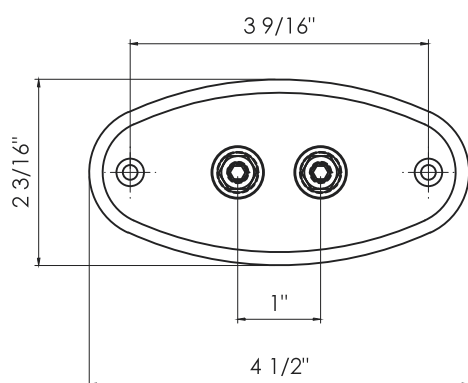
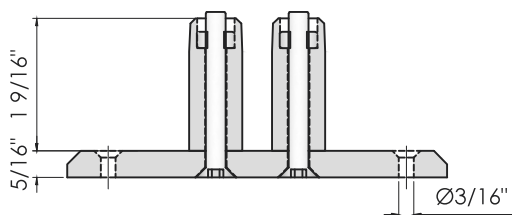
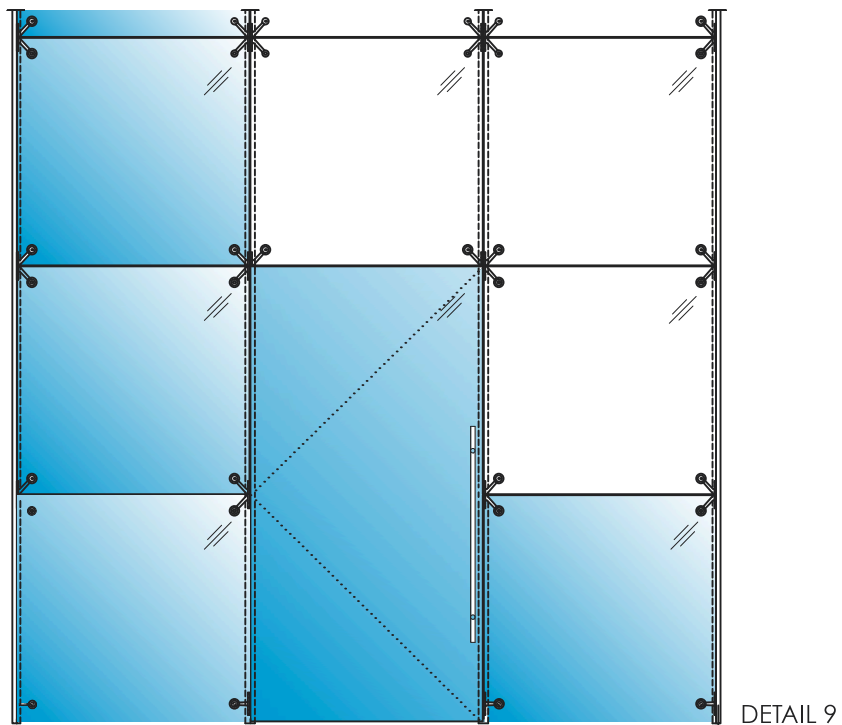


Elevare™ Mullion High Wall System Base Plate



Elevare™ Mullion High Wall System Characteristics:
 Maximum Panel Height: 30'-0"
 Maximum Panel Width: 48"
 Maximum Weight Supported per Arm: 110 lbs

Fittings at the perimeter are anchored to the perimeter