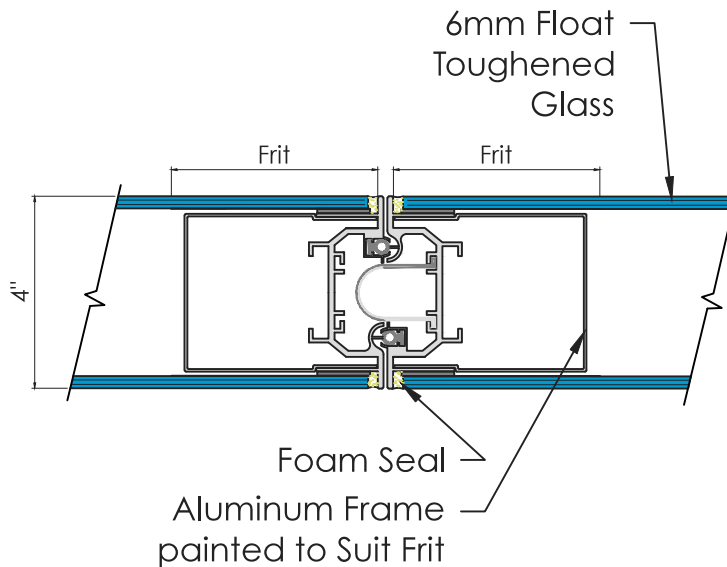
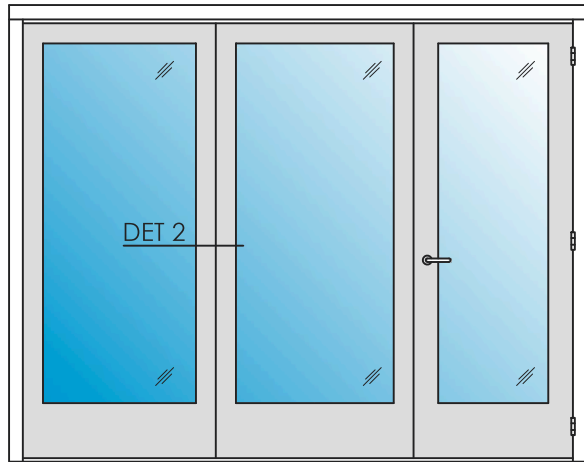


Movare™

Movable Double Glazed Partition System Basic Panel Joint



Movare™ Movable Double Glazed Partition System Characteristics

Track System: Center or End Fold

Head Track: Extruded 4"

Glazing Panel Width: 9 3/4" min. - 36" max.

Maximum Glazing Panel Height: Full height up to 13 feet

Glazing Available: 1/4" Glass on each side of unit. Various glazing types available upon request.

Roller Options: Single point, Twin Point and Heavy Duty

Parking Options: Single or Twin tracks with offset parking, Single or Twin Point parking

Door Integrations: Pivot Glass Doors, Full Height Pass Door, End Panels can be free swing pivot door access

Standard Frame Finishes Available: Polyester powder coated finish (RAL color choices)

Acoustic Performance: up to 54 dB

Flame Spread: Class O Surface Spread of Flame



200 Pemberwick Road
Greenwich, CT 06831

T: (877) 282-6843
F: (914) 934-5992
W: www.avantisystemsusa.com
E: sales@avantisystemsusa.com